

D

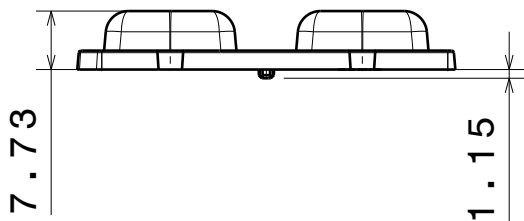
C

B

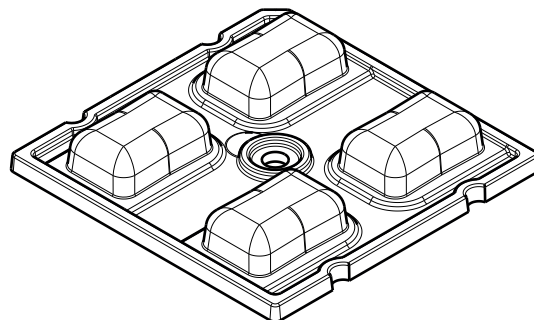
A

4

4



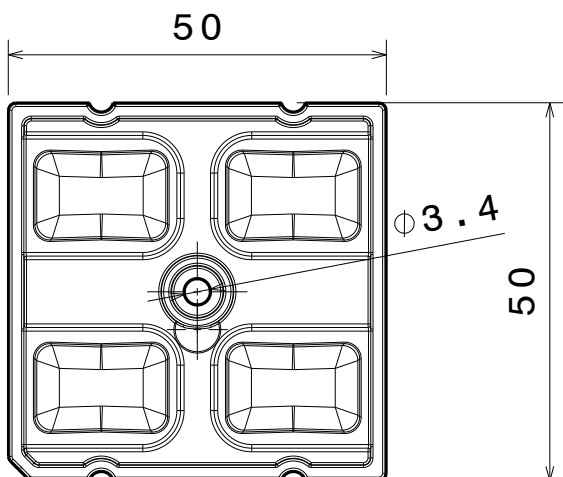
Bottom view
Scale: 1:1



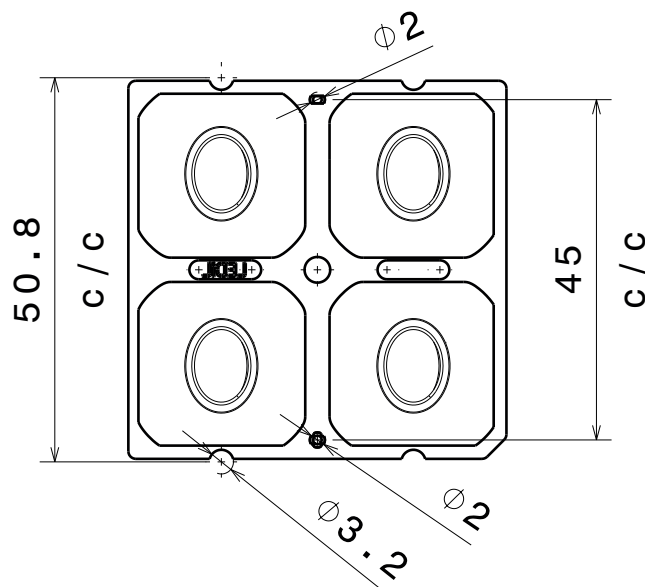
Isometric view
Scale: 1:1

3

3



Front view
Scale: 1:1



Rear view
Scale: 1:1

2

2

INDEX	PART NO	DESCRIPTION	MATERIAL	COLOUR
1	C16702	STRADA-2x2-CAT-B-PC	PC	CLEAR

Plastic moulding general tolerances according to DIN 16901-130 and applies if not otherwise shown in the drawing.
Silicone moulding general tolerances according to ISO 3302-1 Class M3 and applies if not otherwise shown in the drawing.

LEDiL

Ledil Oy
Salorankatu 10
FIN 24240 SALO
Finland

THIRD ANGLE PROJECTION:



DRAWING TITLE

C16702_STRADA-2x2-CAT-B-PC

This drawing is the property of LEDiL Oy. It may not be reproduced, copied or communicated without a written agreement with LEDiL Oy.

SIZE PART NUMBER

A4

C16702

SCALE 1:1 WEIGHT 20,91 g SHEET 1/1

D

A

1